

VMSworks customized best Slimline Mobile Pedestal



VMS Customized Slimline Mobile Pedestal is popular in Australia market. The flush front panel with side pull handle are all combined with high aesthetic design concepts. The tylish and contemporary design makes it an ideal addition to your workspace or home use. This Slimline Mobile pedestal also has 2 stationery drawers and 1 large handing file drawer, which suits both A4 or FC files. It has a solid steel construction with a powder coated finish making it durable and long lasting.

Features

- High quality security lock and lock core removable key
- Smooth and easy sliding enhance strength and less noise
- Store FC or A4 size files or others
- Strong steel construction
- Different lock and handles are available
- Full extension rail system
- Anti-tilt structure
- 5th casters design, more safe
- Pre-assembled structure and pre-assembly packaging
- 45 kgs weight loading/per shelf
- Guarantee (years): 5 years
- Flat packaging with international standard 5 layers carton or design according to actuality

Accessories (available separately)

- Files bar inner drawer
- Lock & keys
- Rails system
- Mater key
- Core removable key

Technical Specification		Color		Locking & handles Options
Height	590/600/620mm	All colors on Ral & Pantone Color Chip are available (some finishes may attract surcharges)		key lock or code lock are available, Master key is available
Width	390mm			
Depth	500/520mm			
Items No.	Packaging Volume	Loading Qty(pcs)		Thickness
SP-S1	0.15cbm	20 GP	250PCS	0.4-1.0mm
		40HQ	616PCS	
Certificate	ISO9001, ISO14001, OHSAS18001, BV			
MOQ	20GP container could be mixed loading with 1-4 models			

NOTE: Above are only our standard specifications and configurations.

Pls contact VMSworks for more customizable sizes and specifications according to your individual requirements.

More details

high quality secure lock



full suspension rail system



Plastic pen tray



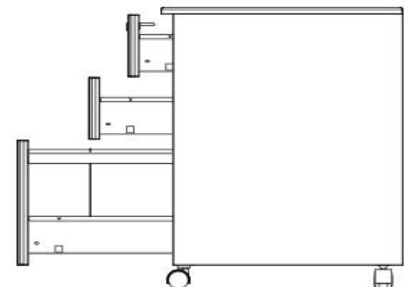
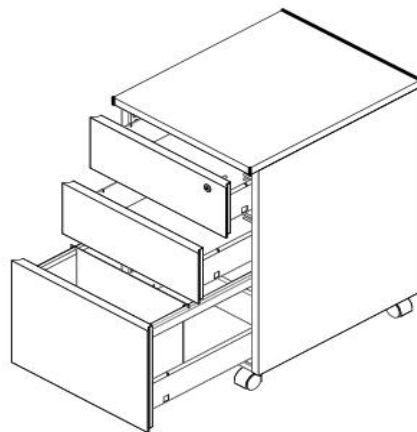
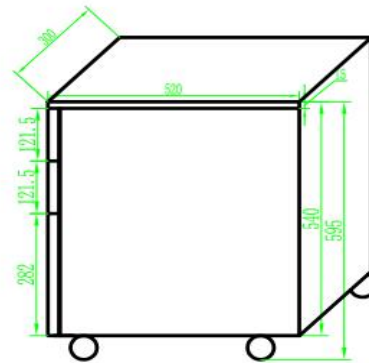
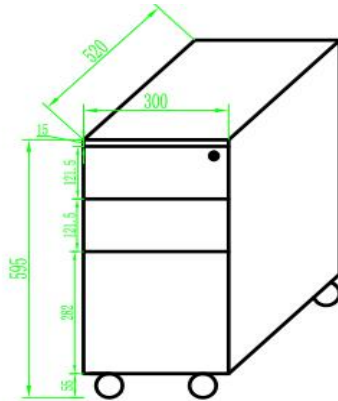
Anti-tilt system and 5th caster design



Secure locking



Full extension rails system



The Drawing of the Slimline Pedestal for your reference

VMS has more items for your consideration, pls contact us directly for more customized solutions .